

***MFE-IK***

***(6, 8, 10 mm Ø)***

***System MFE-IK***

***Système MFE-IK***

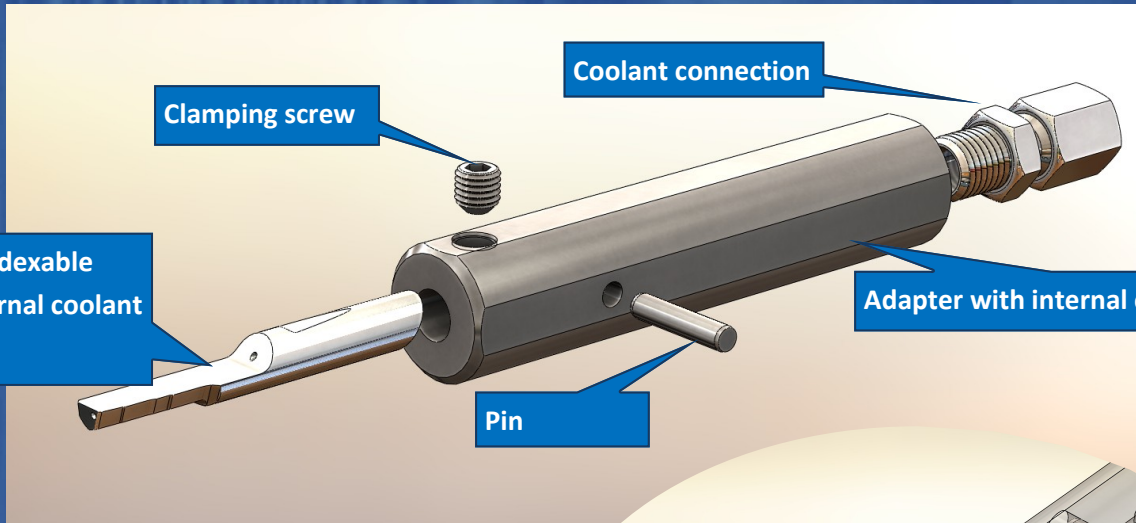


[www.dieterle-tools.com](http://www.dieterle-tools.com)



# SYSTEM MFE-IK

## Internal machining with coolant supply



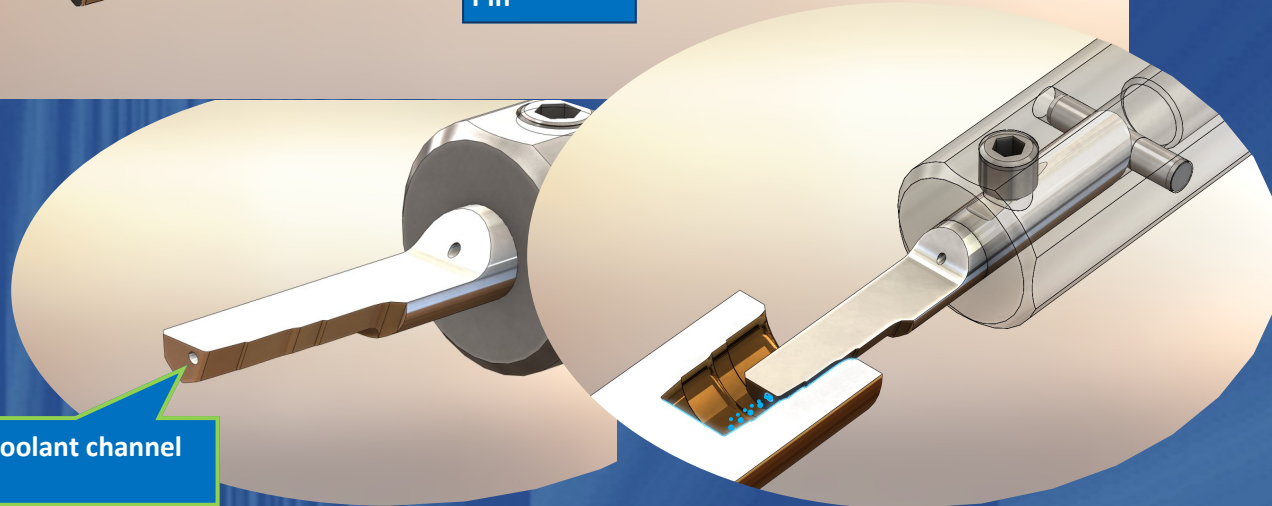
Solid carbide indexable insert with internal coolant supply

Clamping screw

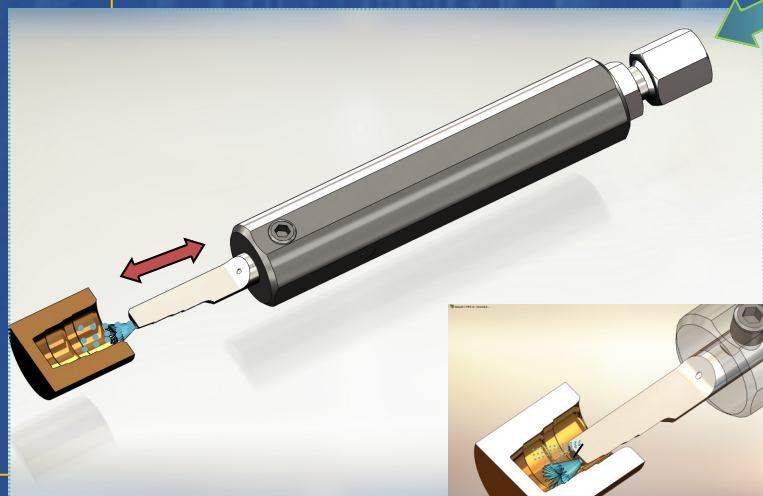
Coolant connection

Adapter with internal coolant supply

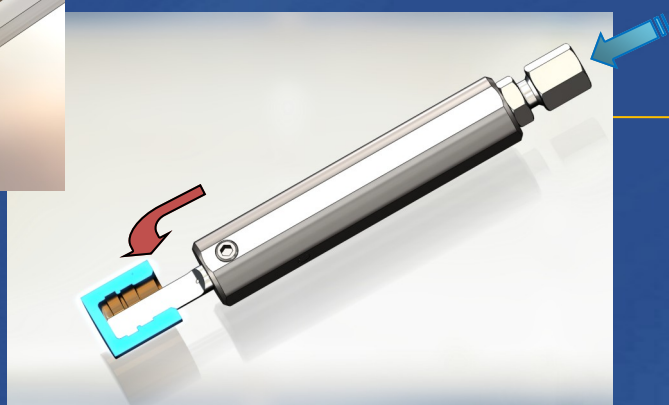
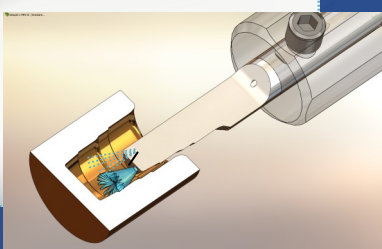
Pin



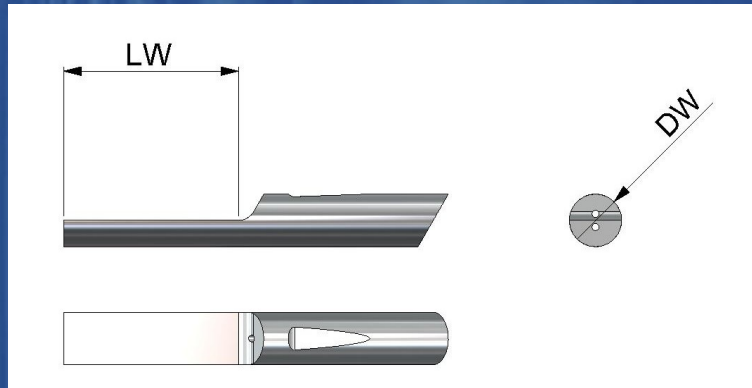
Internal coolant channel



Best change accuracy and short changing time  
Profile according to customer drawing (tolerance:  $\pm 0,01\text{mm}$ )  
Application as:  
- Internal form grooving tool  
- Thread chaser



## Internal machining with coolant supply



### Solid carbide indexable insert

Ref.no.	Designation	DW	LW	carbide type
144396	MFE-IK-06-20-HM	6	20	K40UF
144395	MFE-IK-08-25-HM	8	25	K40UF
144392	MFE-IK-10-30-HM	10	30	K40UF

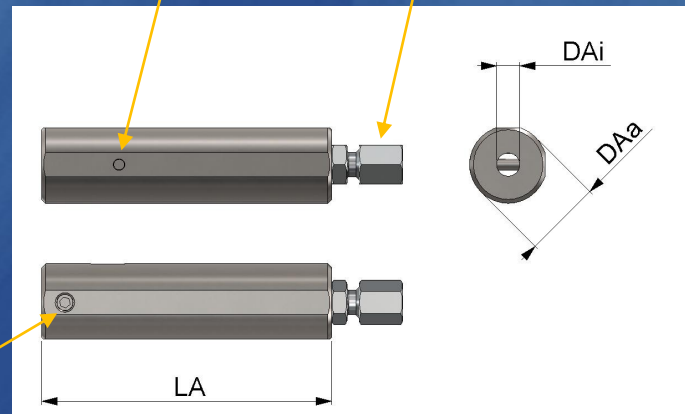
### Accessory

### Designation

Gewindesttift	M5x5-N-ISO 4029
Zylinderstift	Ø3x14-A-St. ISO 8734
IK-Anschluß	GE-04LLM-CF M8x1

### Pin

### Coolant connection



### Thread pin

### Adapter with internal coolant

Ref.no.	Designation	DAi	DAa	LA
144390	MFE-IK-06-20-A-16	6	16	75
144388	MFE-IK-06-20-A-20	6	20	75
144386	MFE-IK-08-25-A-16	8	16	75
144385	MFE-IK-08-25-A-20	8	20	75
144383	MFE-IK-10-30-A-16	10	16	75
144381	MFE-IK-10-30-A-20	10	20	75

Otto Dieterle Spezialwerkzeuge GmbH

Predigerstr. 56, 78628 Rottweil, Germany Telefon: 0741/94205-0 Fax: 0741/94205-50 info@dieterle-tools.com

www.dieterle-tools.com



# Otto Dieterle Spezialwerkzeuge GmbH

Predigerstr. 56  
78628 Rottweil, Germany

Tel.: +49 (0) 741 / 9 42 05 - 0  
Fax: +49 (0) 741 / 9 42 05 - 50  
Email: [info@dieterle-tools.com](mailto:info@dieterle-tools.com)

[www.dieterle-tools.com](http://www.dieterle-tools.com)

