

**NEW**

# External Thread Whirling Tools

**ROTOWIBEX**



[www.dieterle-tools.com](http://www.dieterle-tools.com)

## *New ROTOWIBEX types for tool holding devices of WTO*

- For WTO tool holding devices TN762004 and TN762006
- The insert holder can quickly be changed from the backside
- Leading manufacturers of bone screws rely on the precision of ROTOWIBEX

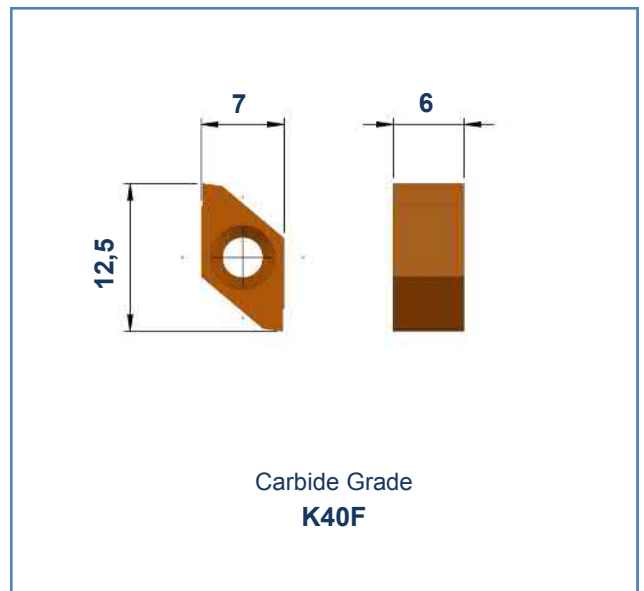
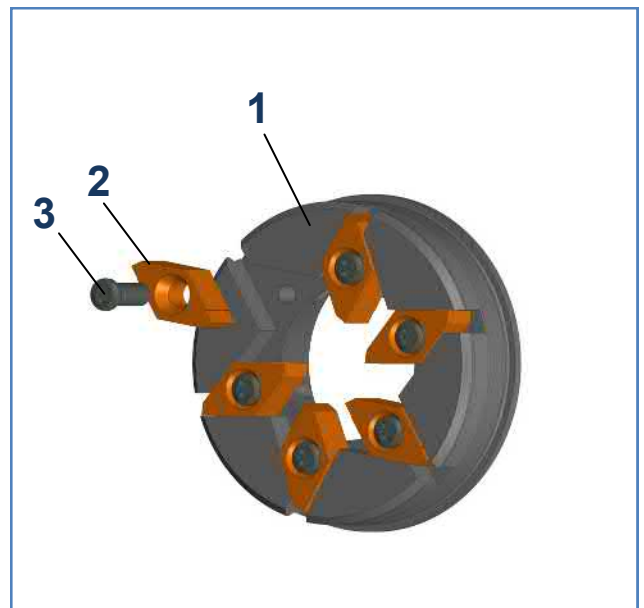
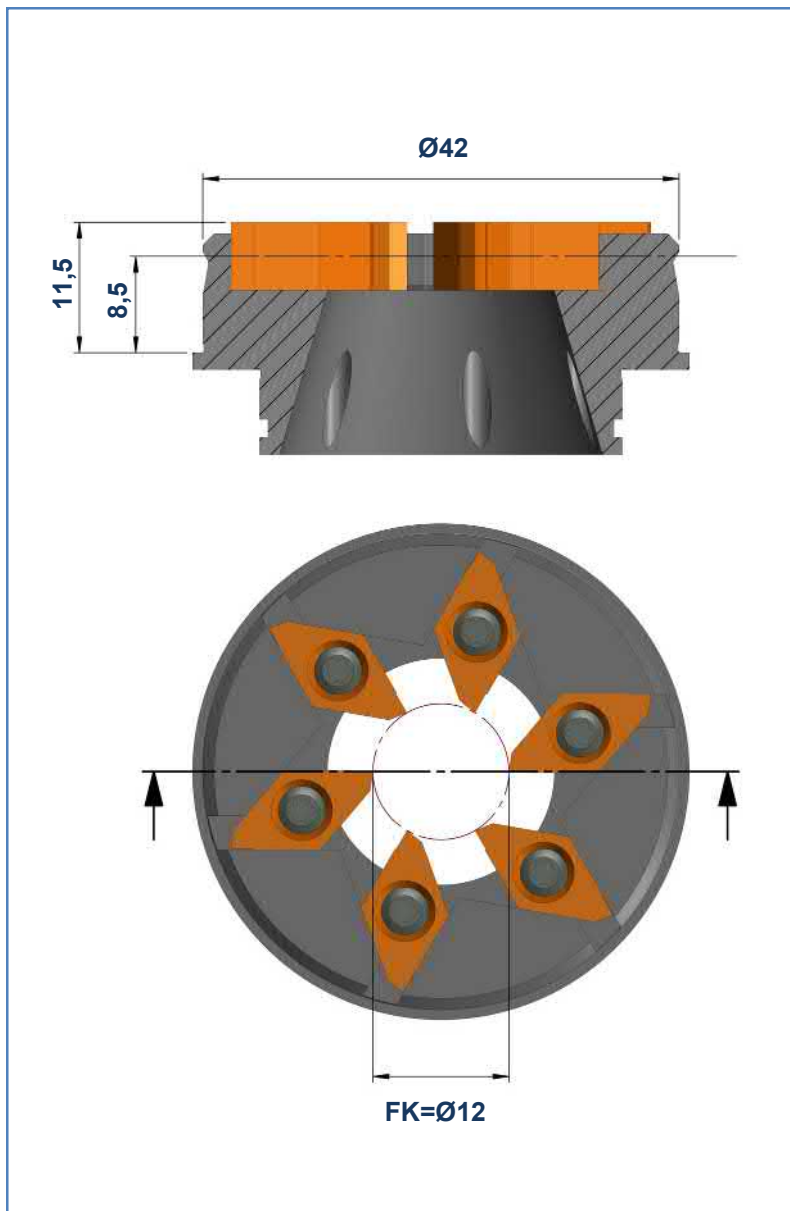
Further information under [www.dieterle-tools.de/ROTOWIBEX](http://www.dieterle-tools.de/ROTOWIBEX)

**WTO**  
*Higher Productivity*



# Item No. 174885: ROTOWIBEX-07-WTO-TN762004-FK12-6E

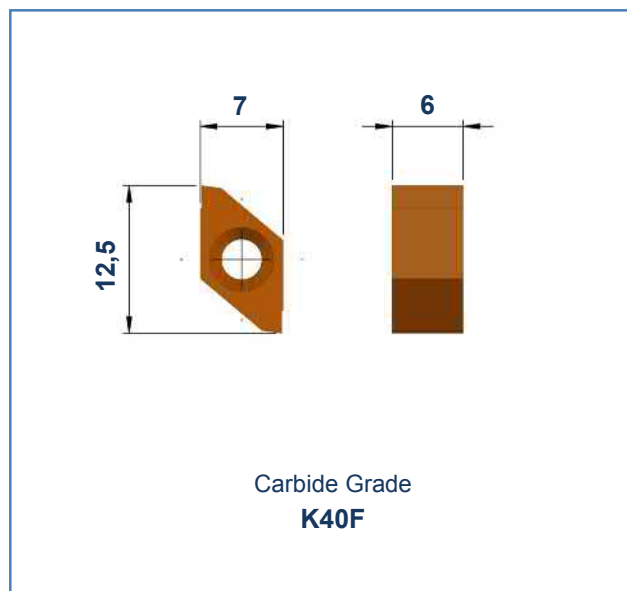
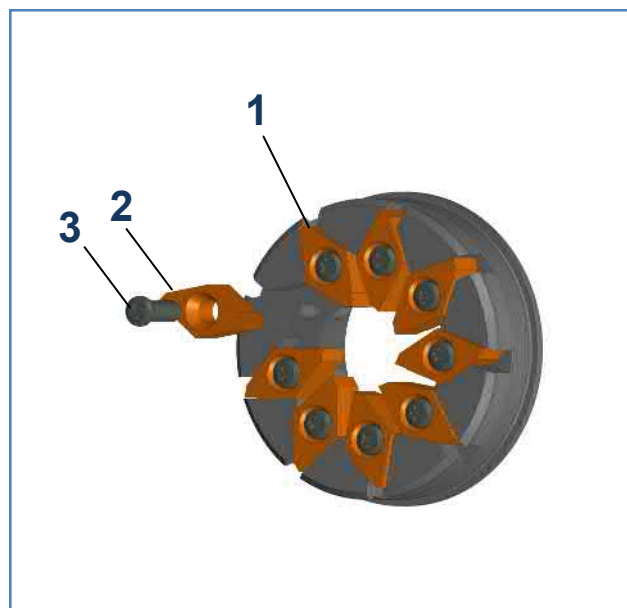
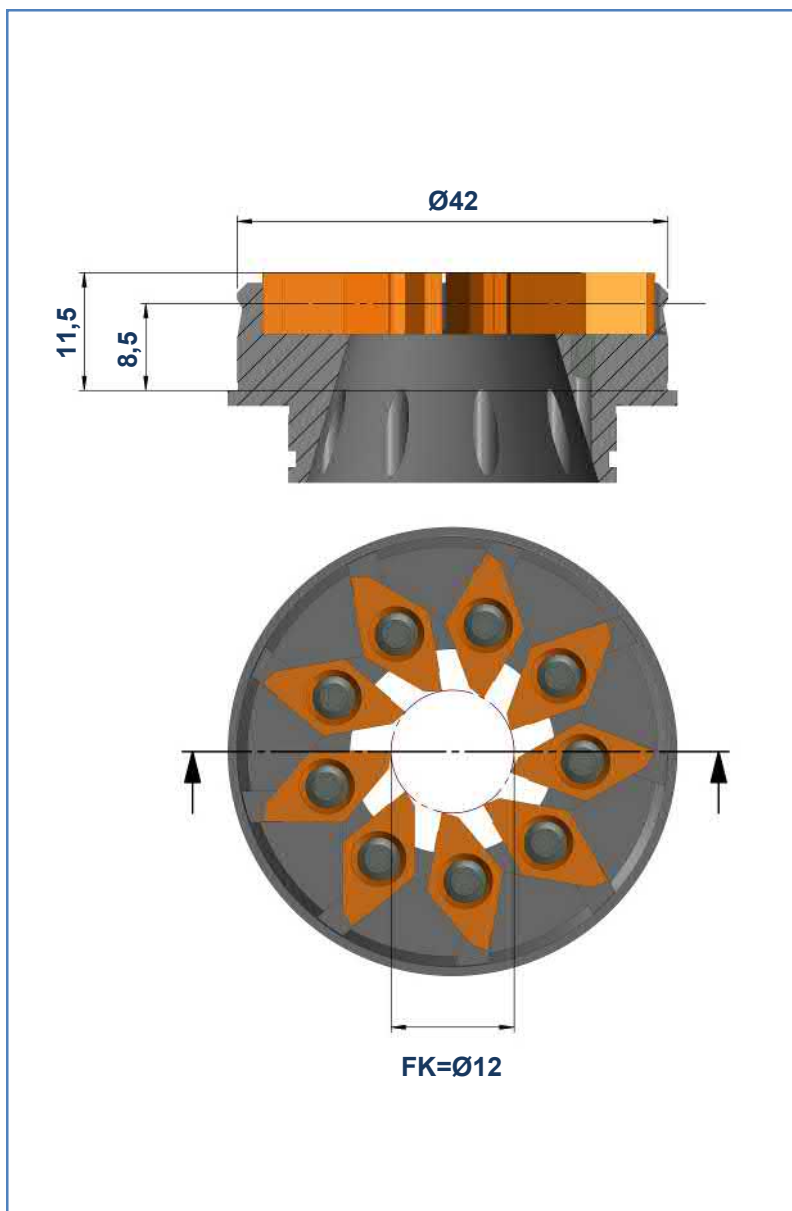
WTO Tool Holding Device TN762004



No.	Item no.	Order no.	Description	
(1x)	1	174885	ROTOW-07-WTO-TN762004-FK12-6E	Basic holder
(6x)	2		ROTO-07-600-L-K40F	Carbide inserts
(6x)	3	102209	M3x10-T9	Clamping screws

# Item No. 174886: ROTOWIBEX-07-WTO-TN762004-FK12-9E

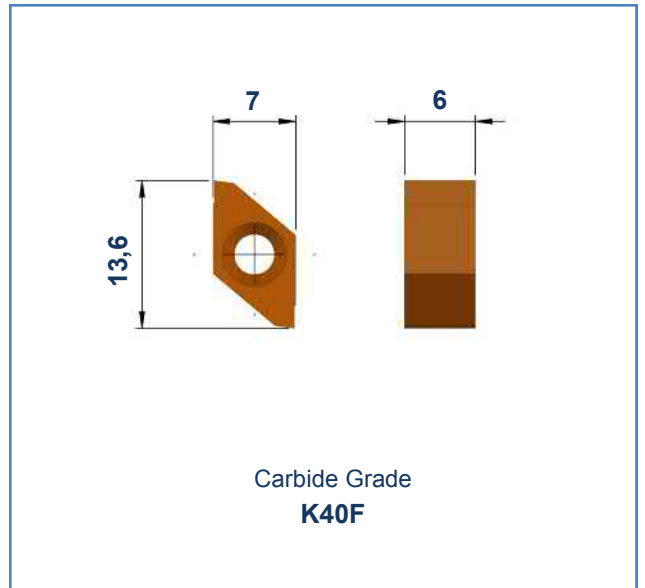
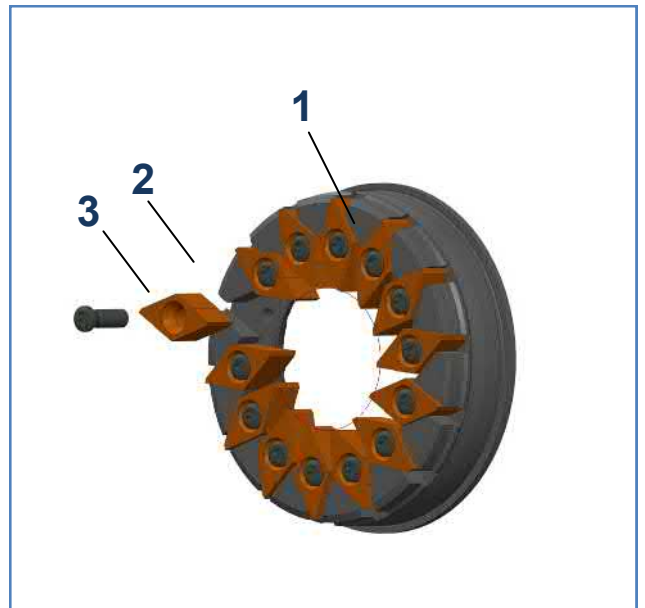
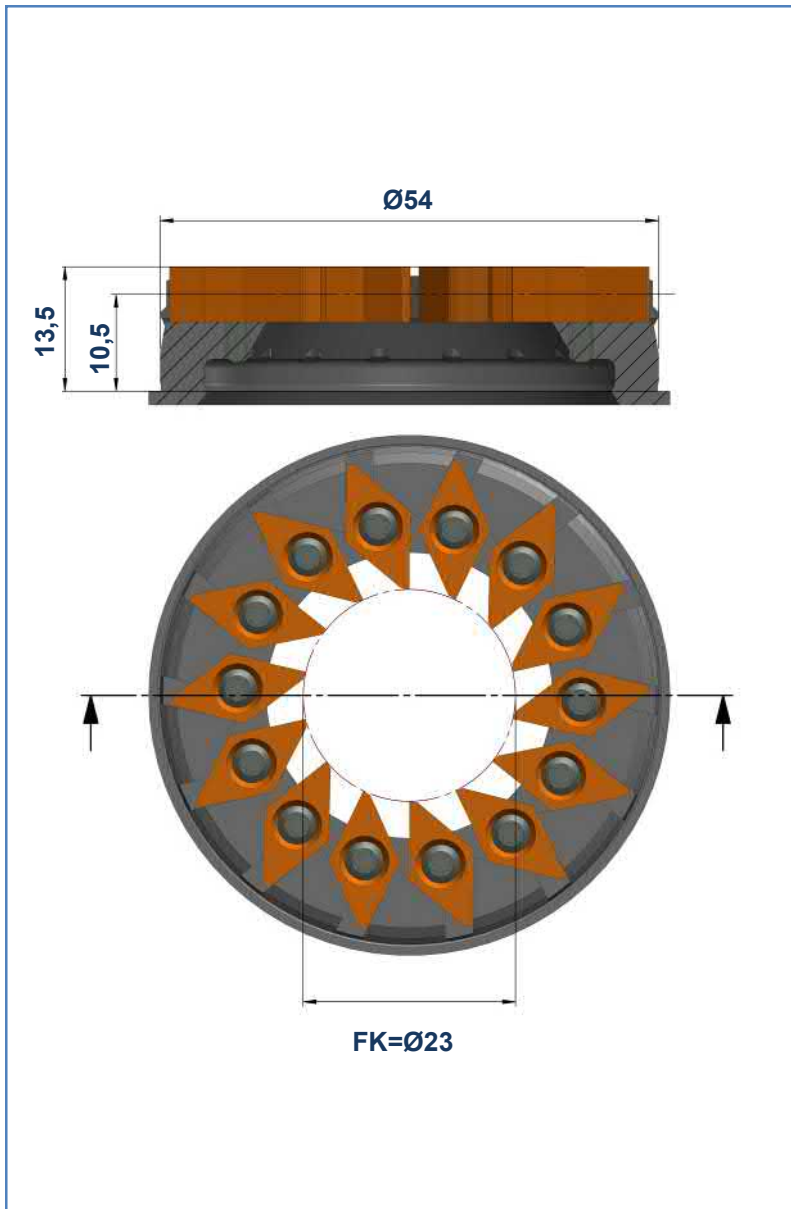
WTO Tool Holding Device TN762004



No.	Item no.	Order no.	Description	
(1x)	1	174886	ROTOW-07-WTO-TN762004-FK12-9E	Basic holder
(9x)	2		ROTO-07-600-L-K40F	Carbide inserts
(9x)	3	102209	M3x10-T9	Clamping screws

# Item No. 175995: ROTOWIBEX-07-WTO-TN762006-FK23-14E

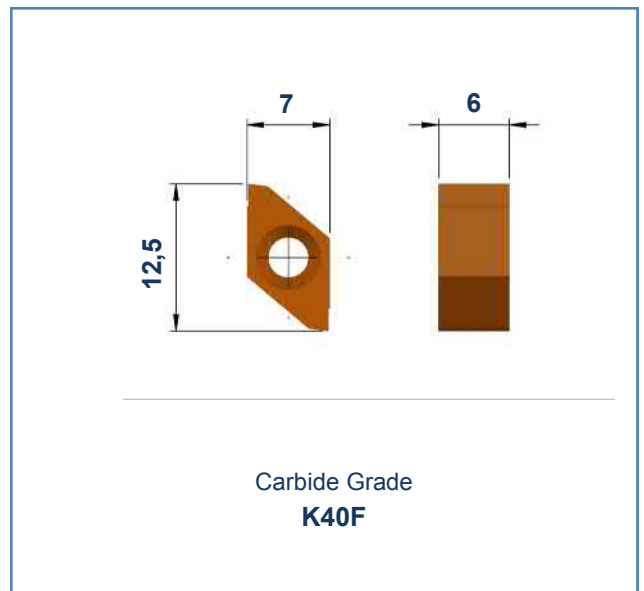
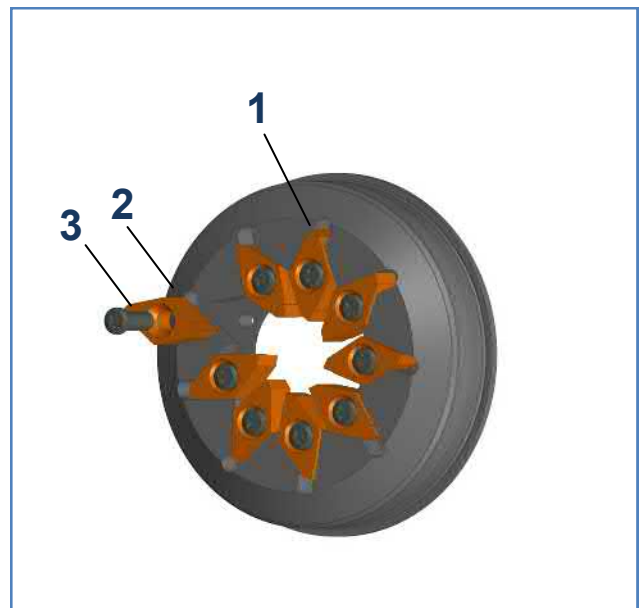
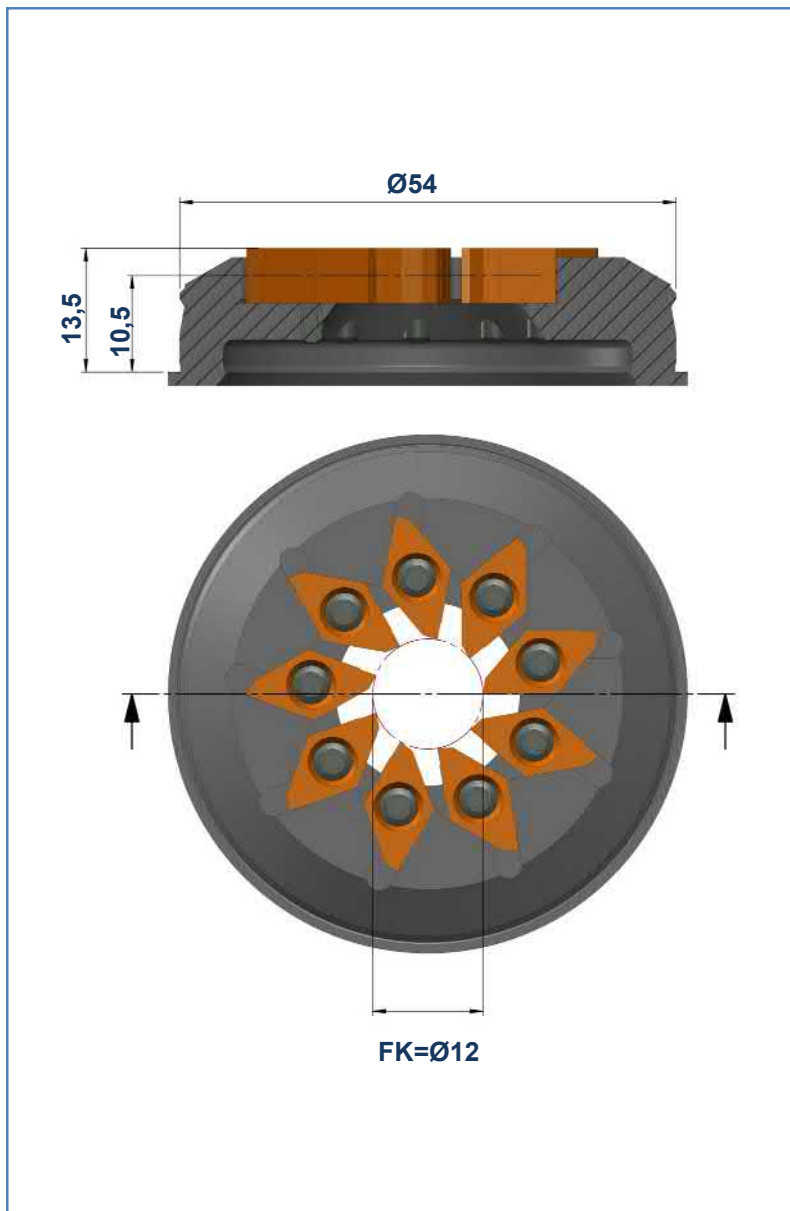
WTO Tool Holding Device TN762006



No.	Item no.	Order no.	Description	
(1x)	1	175995	ROTO-07-WTO-TN762006-FK23-14E	Basic holder
(14x)	2		ROTO-07-600-L-K40F	Carbide inserts
(14x)	3	102209	M3x10-T9	Clamping screws

# Item No. 174888: ROTOWIBEX-07-WTO-TN762006-FK12-9E

WTO Tool Holding Device TN762006



No.	Item no.	Order no.	Description
(1x)	1	174888	ROTO-07-WTO-TN762006-FK12-9E
(9x)	2		ROTO-07-600-L-K40F
(9x)	3	102209	M3x10-T9



# Which ROTOWIBEX type does meet your requirements?

Machine - WTO Tool Holding Device - WTO Thread Whirling Unit - ROTOWIBEX Type

Machine	WTO Tool Holding Device	WTO Thread Whirling Unit	ROTOWIBEX Type
Citizen L20	TN762004	419942003-32	Item no. 174885 ROTO-07- WTO-TN762004-3-FK12-6E or Item no. 174886 ROTO-07- WTO-TN762004-3-FK12-9E
Daesung Nomura NN-20UB8		419942005-34	
Doosan Puma ST20 G/GS		419942000-32	
Doosan Puma ST26 G/GS		419942002-32	
Doosan Puma ST32 G/GS		419942002-34	
Doosan Puma ST35 G/GS		419942000-39	
Ganesh SL-20 Y2		419942004-30	
Goodway SW-20		419942002-30	
Goodway SW-32		419942006-30	
Goodway SW-42		419942002-30	
Hanwha XD12/16H		419942004-32	
Hanwha XD12/16II		419942000-35	
Hanwha XD20/26H N		419942009-30	
Hanwha XD20/26II		419942014-30	
Hanwha XD20M		419942002-34	
Hanwha XD20V(Y2)		419942007-44	
Hanwha XD32/35/38H		419942005-44	
Hanwha XD32/35/38II H/N/He		419942008-44	
Hanwha XDI20		419942002-34	
Nexturn SA20/26 (new interface)		419942007-44	
Nexturn SA20XII		419942005-44	
Nexturn SA32 (new interface)		419942008-44	
Nexturn SA32XIII		419942007-44	
Nextrun SA 12/20/32 (new interface)		419942005-44	
Star ECAS 12/20		419942008-44	
Star ECAS 20 T		419942002-34	
Star ECAS 32 T		419942007-44	
Star SB 12/16/20		419942005-44	
Star SR 16, SR 20		419942008-44	
Star SR 20 R IV		419942007-44	
Star SR 32 J/JN		419942005-44	
Star ST 20		419942008-44	
Star ST 38		419942007-44	
Star SV 12/20		419942005-44	
Star SV 32		419942008-44	
Star SV 32 JII		419942007-44	
Star SV 38 R		419942005-44	
Star SW 12 R II, SW 20		419942008-44	
Takisawa TCY-160, 200		419942002-34	
Tsugami BO265-II/266-II/325-II/326-II		419942000-50	
Tsugami BO385	419942000-46		
Tsugami S205, 206	419942001-35		
Tsugami SS20/26/32	419942000-46		



# Which ROTOWIBEX type does meet your requirements?

Machine - WTO Tool Holding Device - WTO Thread Whirling Unit - ROTOWIBEX Type

Machine	WTO Tool Holding Device	WTO Thread Whirling Unit	ROTOWIBEX Type
Daesung Nomura NN-20UB8	TN762006	419954004-34	Item no. 175995: ROTOW-07- WTO-TN762006-FK23-14E  or  Item no. 174888 ROTO-07- WTO-TN762006-3-FK12-9E
Doosan Puma ST20 G/GS		419954006-32	
Doosan Puma ST26 G/GS		419954005-32	
Doosan Puma ST32 G/GS		419954003-34	
Doosan Puma ST35 G/GS		419954001-39	
Ganesh SL-20 Y2		419954011-30	
Goodway SW-20		419954012-30	
Goodway SW-32		419954013-30	
Goodway SW-42		419954007-32	
Hanwa XD20/26H N		419954003-35	
Hanwha XD20/26II		419954013-30	
Hanwha XD32/35/38H		419954012-30	
Hanwha XD32/35/38II H/N/He		419954075-30	
Hanwha XDI20		419954010-30	
Hanwha XE20/26H J		419954003-34	
Hanwha XE20/26H J		419954011-44	
Nexturn SA20/26 (new interface)		419954010-44	
Nexturn SA32 (new interface)		419954010-44	
Nexturn SA20/26		419954011-44	
Nexturn SA20XII		419954010-44	
Nexturn SA32		419954011-44	
Nexturn SA32 XIII		419954010-44	
Star ECAS 12/20		419954011-44	
Star ECAS 20 T		419954010-44	
Star ECAS 32 T		419954010-44	
Star SR 16, SR 20		419954010-44	
Star SR 20 R IV		419954011-44	
Star SR 32 J/JN		419954010-44	
Star ST 20		419954011-44	
Star ST 38		419954010-44	
Star SV 12/20		419954011-44	
Star SV 32		419954010-44	
Star SV 32 JII		419954011-44	
Star SV 38 R		419954010-44	
Tsugami BO265-II/266-II/325-II/326-II		419954001-46	
Tsugami BO385		419954002-35	
Tsugami S205, 206		419954001-46	
Tsugami SS20/26/32			

## Legend ROTOWIBEX:

ROTOW- System    07- Insert type    WTO-TN762004- Interface    FK12- Insert circle    6E Quantity of inserts



**NEW**

# External Thread Whirling Tools

**ROTOWIBEX**



www.dieterle-tools.com

## System ROTOWIBEX

Leading producers of bone screws rely on the precision of ROTOWIBEX

- Available for all common machine types and whirling units
- Carbide inserts available in quantity, size and type according to your demand
- Ideal type of carbide grade for the whirling technology guarantees best tool life
- Quick and simple change of inserts
- Highly precise insert seat



Thread whirling is especially applied for the production of threads with a large pitch and which require a very high level of surface quality. A major advantage of the thread whirling technology is the machining of threads in only one pass. Whirling enables a burr-free operation generating only very short chips. Classic machining examples are bone screws out of titanium or similar materials for the medical and implant technology as well as threads for other areas of precision engineering.

You will find a wide range of ROTOWIBEX types under

[www.dieterle-tools.de/ROTOWIBEX](http://www.dieterle-tools.de/ROTOWIBEX)

