

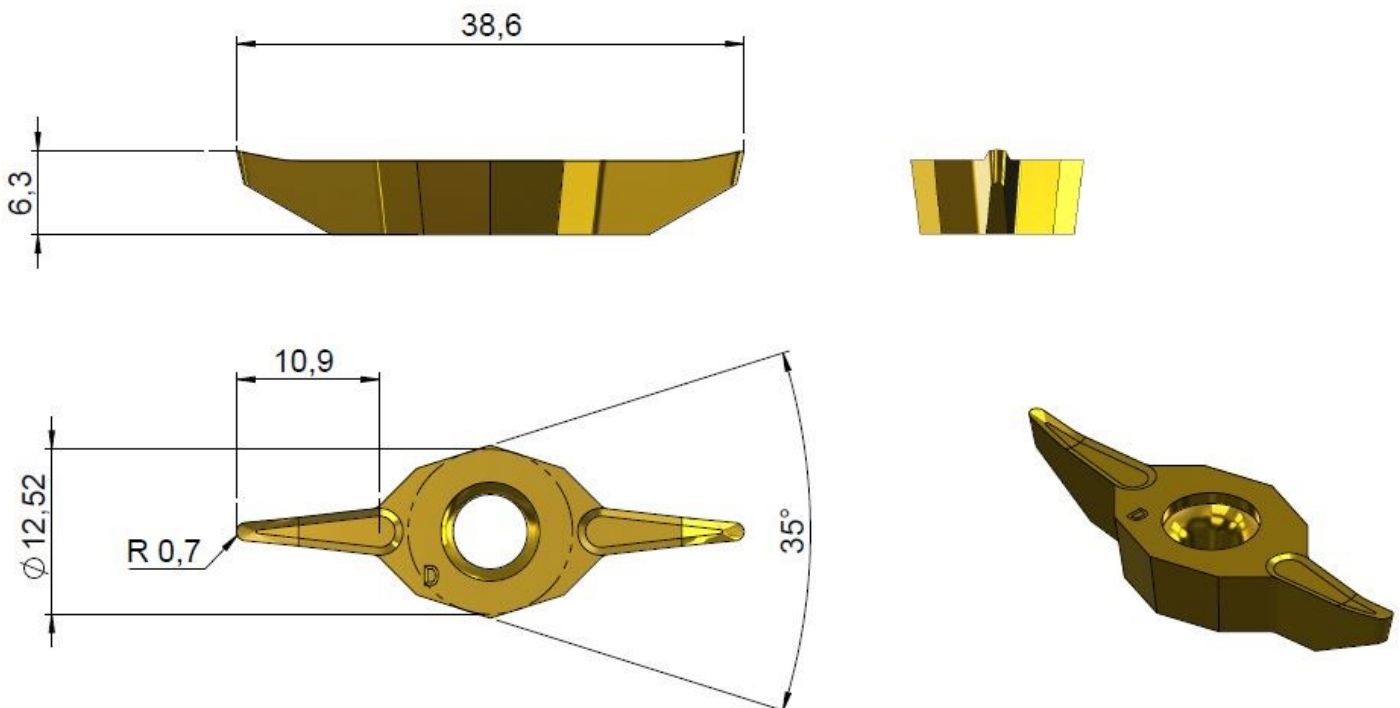
# Plastic Machining Tools

## System SDAC-KP-2235



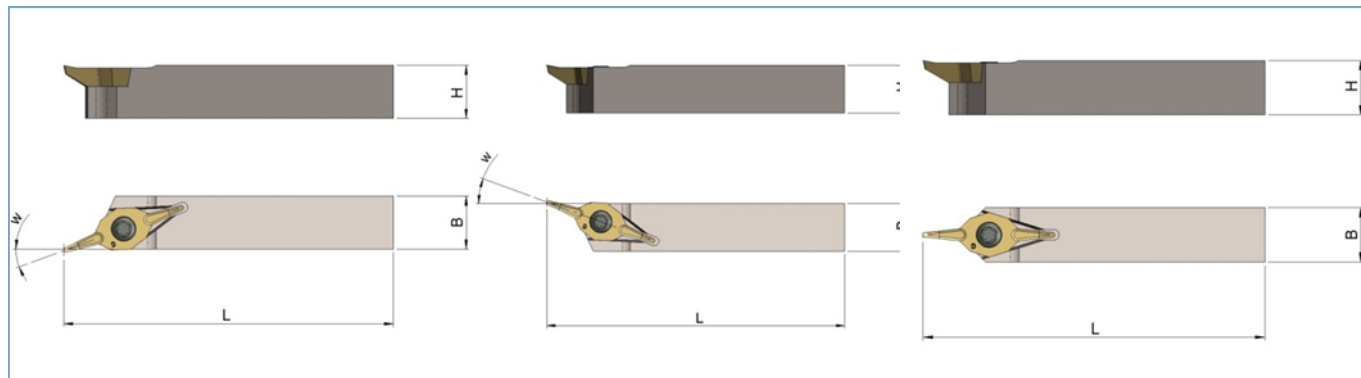
*Especially appropriate for copying of plastic profiles with large forming depth*

- The new carbide insert KP-VCGT-22-S is the big brother of KP-VCGT-16-S
- Cutting depth up to 10,5 mm, pointed angle of 13° and R 0,7
- Unique tool system especially developed for the demands of plastic machining

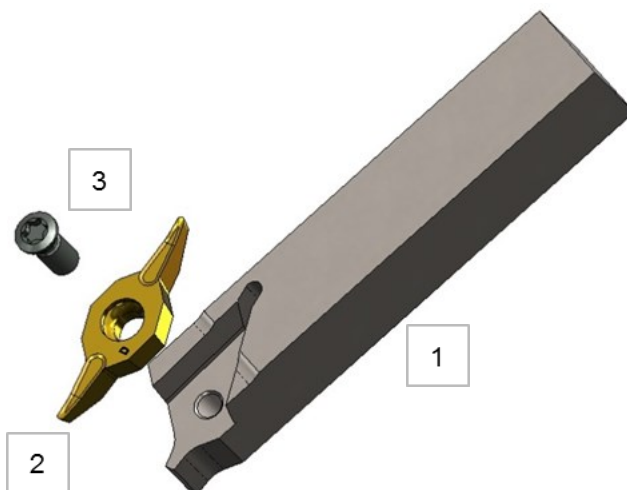


## Plastic Machining Tools

### System SDAC-KP-2235



1					
Item no.	Ref. No.	B	H	L	w
170420	SDAC-KP-2235-1616-N	16	16	100	-
170419	SDAC-KP-2235-2020-N	20	20	100	-
170423	SDAC-KP-2235-2525-N	25	25	100	-
171097	SDAC-KP-2235-3232-N	32	32	100	-
171092	SDAC-KP-20-2235-1616-L	16	16	100	20°
171093	SDAC-KP-20-2235-1616-R	16	16	100	20°
171090	SDAC-KP-20-2235-2020-L	20	20	100	20°
170421	SDAC-KP-20-2235-2020-R	20	20	100	20°
171091	SDAC-KP-20-2235-2525-L	25	25	100	20°
170422	SDAC-KP-20-2235-2525-R	25	25	100	20°
171103	SDAC-KP-20-2235-3232-L	32	32	100	20°
171104	SDAC-KP-20-2235-3232-R	32	32	100	20°
171094	SDAC-KP-45-2235-1616-L	16	16	100	45°
171095	SDAC-KP-45-2235-1616-R	16	16	100	45°
171096	SDAC-KP-45-2235-2020-L	20	20	100	45°
171098	SDAC-KP-45-2235-2020-R	20	20	100	45°
171099	SDAC-KP-45-2235-2525-L	25	25	100	45°
171100	SDAC-KP-45-2235-2525-R	25	25	100	45°
171101	SDAC-KP-45-2235-3232-L	32	32	100	45°
171102	SDAC-KP-45-2235-3232-R	32	32	100	45°



2	
Item no.	Ref. No.
170085	KP-VCGT-22-S-K10

3	
Item no.	Ref. No.
102219	M-5-X-13-T25

